

Mega Vacuum Filter

This particular vacuum filter is made by steel Hosing, Clip on Bracket and filter element available in PE material or paper. This enable the element can be blown of with compressed air before replaced. This range of Mega filters are useful in conjunction with the larger pumps need highest filter capacity.



Dimensional Information / Order no.

VFS34 - P

①

②

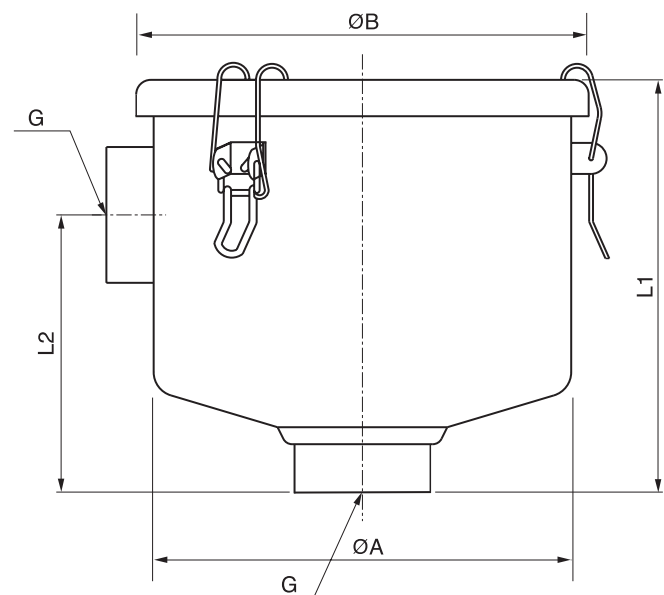
① Model

- VFS34
- VFS01
- VFS02
- VFS03

② Element material

- no mark - paper
- P - polyester(PE)

Model	ØA	ØB	L1	L2	G
VFS34	129	147	111	68	G 3/4"
VFS01	129	147	111	68	G 1"
VFS02	173	187	172	118	G1 1/2"
VFS03	194	222	257	127	G 2"



Operating specifications

Model	Port Size	Internal Volume (cm ³)	Removal efficiency (μ)	Material	Working temperature	Weight	Filter Element Model	
							paper	polyester
VFS34	3/4"	1200	paper : 2 polyester : 5	Steel paper or polyester	-26°C~104°C	1kg	VFSE34	VFSPE34
VFS01	1"	3000				1kg	VFSE01	VFSPE01
VFS02	1 1/2"	3000				2.1kg	VFSE02	VFSPE02
VFS03	2"	6500				4.9kg	VFSE03	VFSPE03